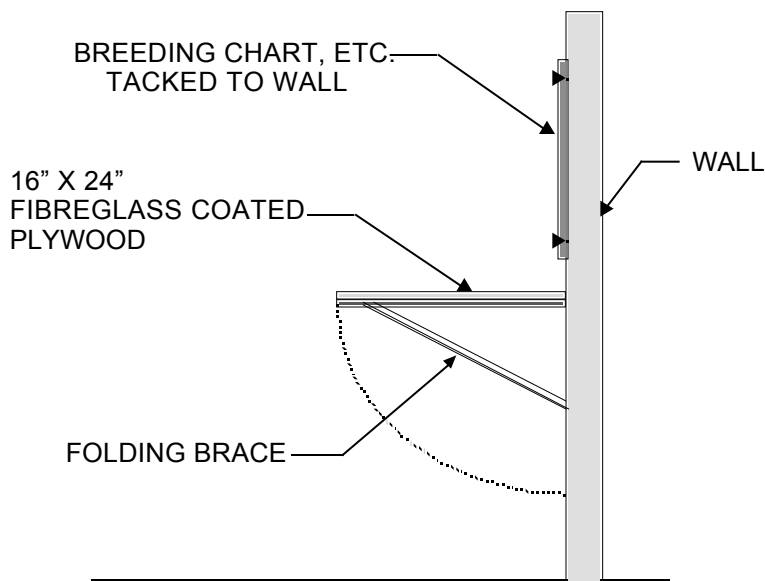




TECH NICKEL TIPS

COLLAPSABLE DESKTOP FOR BARN HALLWAYS

Here is a simple idea that John Veeke of Arkona, Ontario, came up with to provide a place to do records in the barn without taking up alley space. He simply hinged a 24" x 16" piece of fibreglass-coated plywood to the wall and supported it with a piece of 1/2" rod. Adjust the support rod to change the angle of the desk, and when the record-keeping is done simply hang the records back on the wall, and drop the desktop out of the way. Veeke won a prize in the Ontario Pork Congress "Innovation" competition for



VIDO

SERVING THE LIVESTOCK INDUSTRY THROUGH RESEARCH